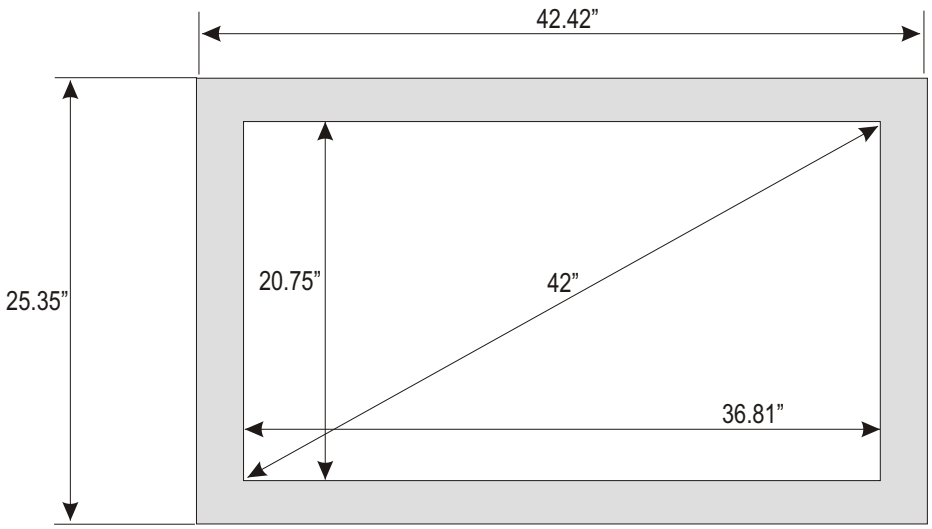


Interactive Touchscreen Solutions, Inc.

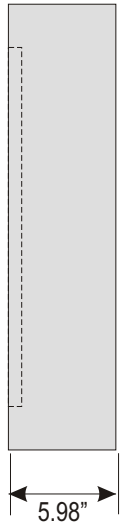
Model #: **42FP-ED**



Weight: 52 lb (23.5 kg)



FRONT VIEW



SIDE VIEW

Contact Us At:
1655 Crofton Blvd., Suite 103
Crofton, MD 21114
800-652-4830 Toll Free
410-451-1540 Phone
410-451-1544 Fax
info@itouchinc.com
www.itouchinc.com