

# Interactive Touchscreen Solutions, Inc.

## Model #: 22FP-EK

Size: 22.0" diagonal  
 Type: Active matrix TFT LCD  
 Aspect ratio: 16 x 10

1680 x 1050 resolution

Colors: 16.7 million

Brightness: 300 cd/m<sup>2</sup> (typical)

Response time: 5 msec (typical)

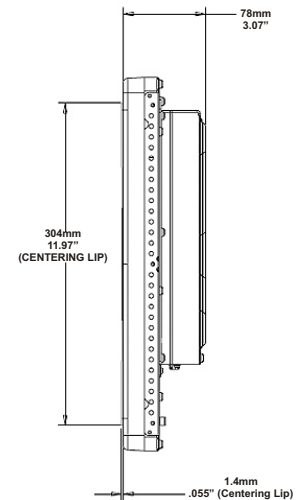
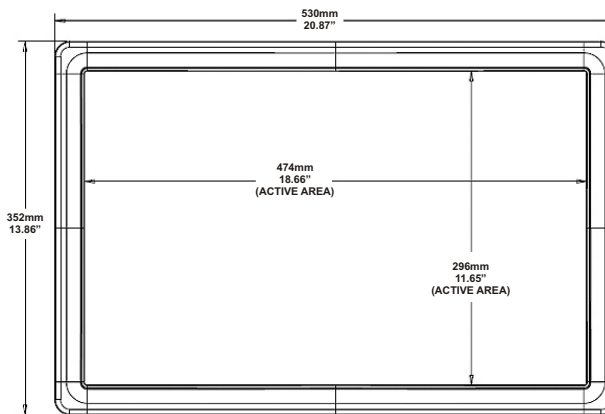
Viewing Angle: Horizontal (left/right): 170°  
 Vertical (up/down): 160°

Contrast Ratio: 1000:1 typical

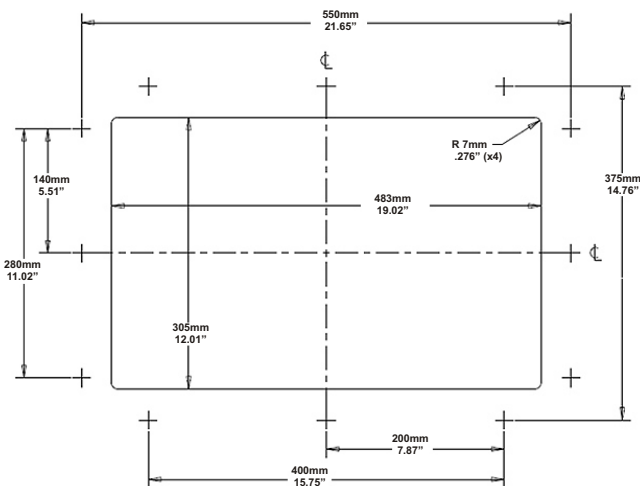
Input Video Signal Connector: RGB analog video; DVI video (note: DVI not included on standard European models)



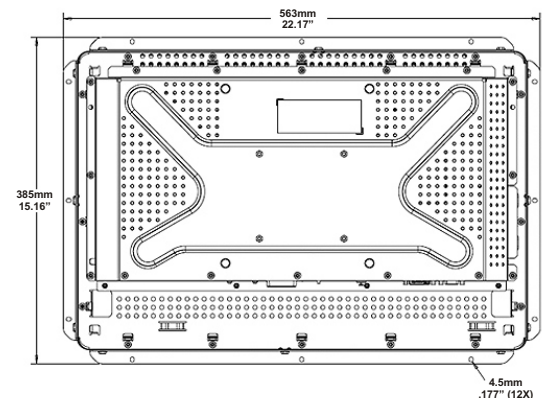
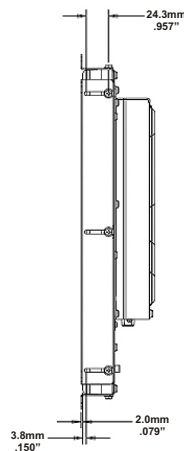
Power consumption: 50 W typical,  
 70 W max.  
 Power supply: Internal  
 Monitor Input Voltage: 100-240 VAC,  
 50/60 Hz  
 Temperature: Operating: 0°C to 40°C  
 Storage: -20°C to 60°C  
 Humidity: Operating: 20%-80%  
 Storage: 10%-90% noncondensing  
 Weight: 18.7 lb (8.48 kg)  
 Backlight lamp life: 50,000 typical  
 40,000 minimum



### RECOMMENDED CUSTOMER PANEL CUT-OUT (See Note A)



### MOUNTING BRACKETS ADJUSTMENT RANGE



**NOTE A**  
 CUSTOMER PANEL MATERIAL:

- WOOD: Ø 4.5 HOLES THRU FOR M4 SCREWS W/NUTS, OR, NO THRU HOLES, SCREWS FOR WOOD Ø 4mm,
- SHEET METAL: CONCEALED HEAD THREADED STUDS M4 W/NUTS.

