

Interactive Touchscreen Solutions, Inc.

Model #: 20FP-EK

Size: 20.0" diagonal
 Type: Active matrix TFT LCD
 Aspect ratio: 16 x 9

Useful Screen Area: Horizontal 17.4" X Vertical 9.8"

1366 x 768 resolution

Colors: 16.7 million

Brightness: 410 cd/m² (typical)

Response time: 17 msec (typical)

Viewing Angle: Horizontal (left/right): ±89° or 178° total
 Vertical (up/down): ±89° or 178° total

Contrast Ratio: 600:1 typical

Input Video Signal Connector: Analog: 15-pin female D-Sub
 Digital: Female DVI-D

Power dissipation:

Monitor input voltage: 100~240 VAC,

50/60 Hz

Power Consumption: 65 W typical,

90 W max. (at 120V/60Hz)

Temperature: Operating: 0°C to 40°C

Storage: -20°C to 60°C

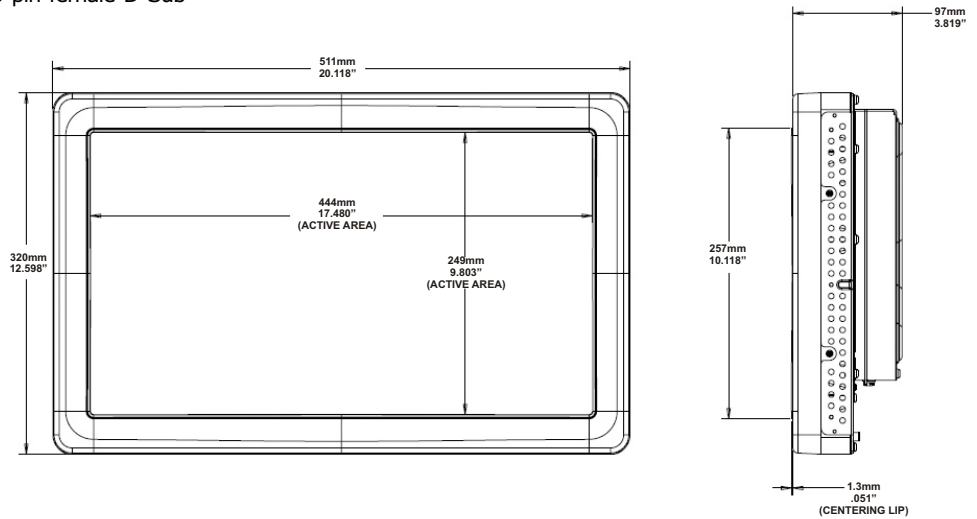
Humidity: Operating: 20%-80%

Storage: 10%-90% noncondensing

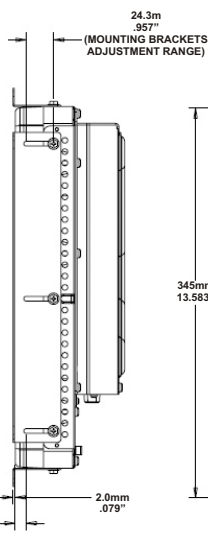
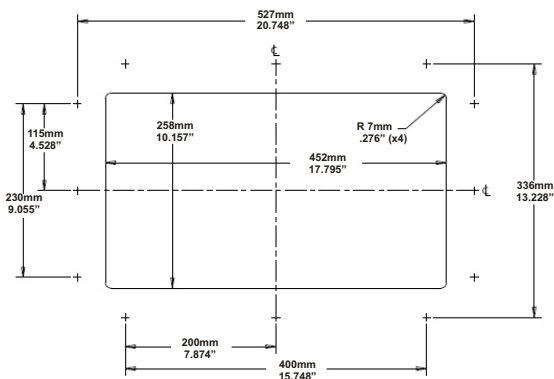
Weight: 18.8 lb (8.54 kg)

Backlight lamp life: 50,000 hours

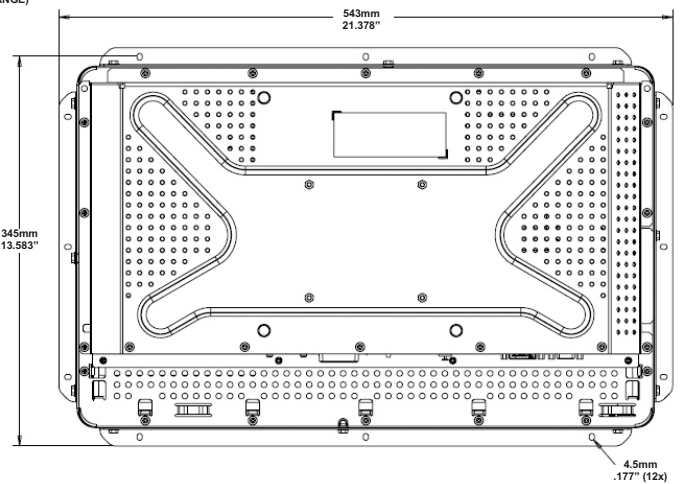
min; 60,000 hours typical



RECOMMENDED CUSTOMER PANEL CUT-OUT (See Note A)



REAR MOUNT WITH BRACKETS, HORIZONTAL & VERTICAL



NOTE A
 CUSTOMER PANEL MATERIAL:

1. WOOD: Ø 4.5 HOLES THRU FOR M4 SCREWS W/NUTS, OR, NO THRU HOLES, SCREWS FOR WOOD Ø 4mm,
2. SHEET METAL: CONCEALED HEAD THREADED STUDS M4 W/NUTS.



INTERACTIVE TOUCHSCREEN SOLUTIONS, INC.

1655 Crofton Blvd., Suite 103 • Crofton, MD 21114
 1.800.652.4830 • 410.451.1540 Phone • 410.451.1544 Fax
 info@touchinc.com • www.itouchinc.com